



# Drum Rack & Stack Module – 4 Drum Bundled Pallet & Drum Dispenser Base Cradle

## Product Specifications

Product Code: MXP3004

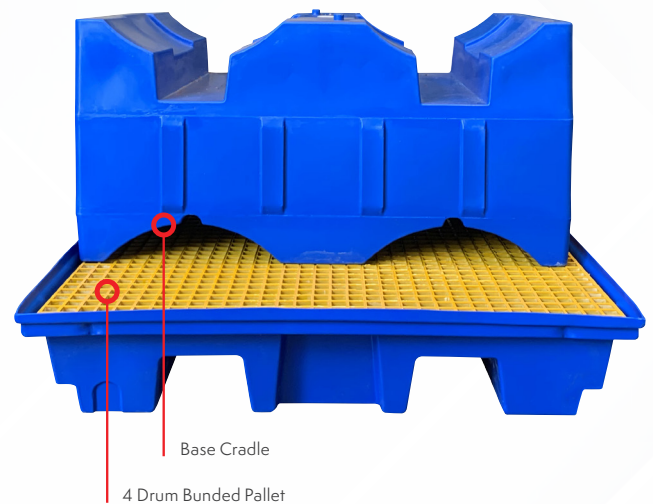
## Product Features

This Dispensing Unit is designed to accommodate up to 2 x 205 Litre drums. With a bund capacity of 230 Litres, you have assurances that spills, leaks, and drips will be safely contained.

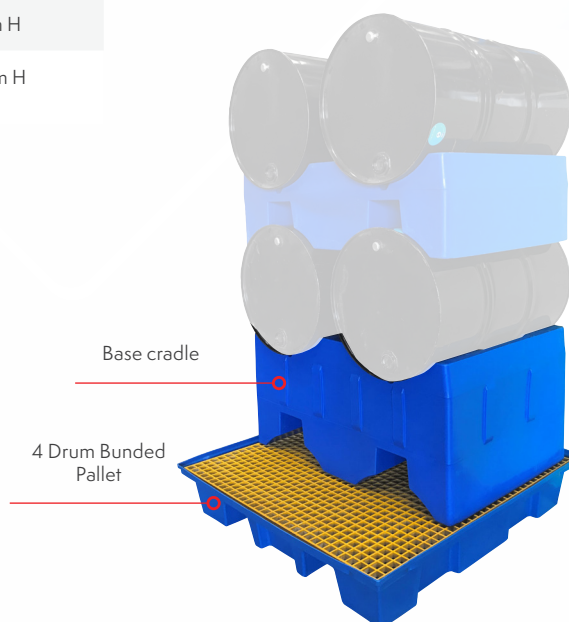
Safely placed on 4 drum bundled pallet, the base cradle stores 2 x 205L drums horizontally. Made from tough, UV resistant polyurethane, it can handle most site conditions.

| Specifications         |                              |
|------------------------|------------------------------|
| Base Cradle Dimensions | 1220mm L x 820mm W x 600mm H |

|                                  |                               |
|----------------------------------|-------------------------------|
| 4 Drum Bundled Pallet Dimensions | 1290mm L x 1290mm W x 250mm H |
|----------------------------------|-------------------------------|



## Maxbund 205L Rack & Stack Module



With the Shelf Cradle added, another 2 x 205L drums can be stored on top.

